

MINI BIN

AN ECONOMICAL UTILITY BIN FOR ANY FEED STORAGE NEED



- 1.6 and 2.1 ton capacities
- Premium Galvanized Steel Construction
- Sturdy ladder - same one you find on commercial grain tanks
- Heavy (11 gauge) channel legs secured with 1/4 inch anchor plates



FOR YOU. FOR YOUR FARM.
FOR A CENTURY.



FOUR MODELS

Model **MBSLGT** (shown above) - 2 shells; 1.6 ton (64 bushel) capacity.

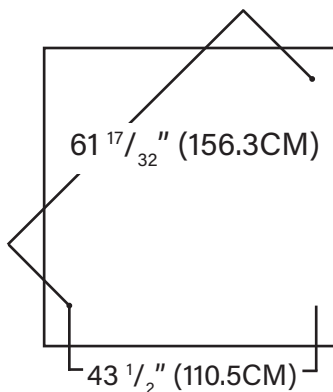
Model **MBSLGT+20** (shown right) - 3 shells; 2.1 ton (84 bushel) capacity.

Model **F60MB** (not shown) - 2 shells; 1.6 ton (64 bushel) capacity.

Model **F60MB+20** (not shown) - 3 shells; 2.1 ton (84 bushel) capacity.



MBSLGT and MBSLGT+20 come with a slide gate for feed discharge at the bottom of the cone (see above). These bins cannot be used with rigid or flex auger.



Anchoring Concrete
Dimensions



F60MB and F60MB+20 come with a poly transition, transfer plate and slide assembly and will accept either rigid or flex auger.

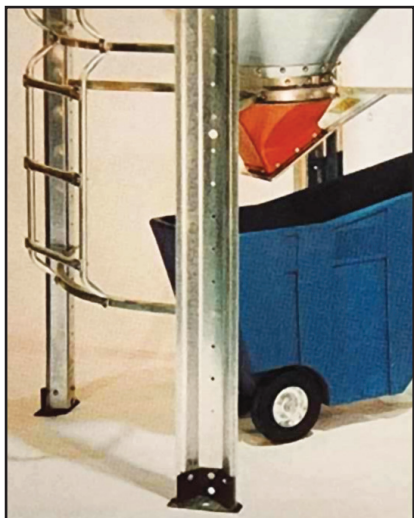
PRIDE-STEEL AND LOTS MORE...



POSI-LOC™ latch securely fastens one piece spun cover.



Leg anchor system (1/4 inch plate) gives stability, yet is simple to install, simple to move; one inch (2.54 cm) anchor holes.



F60MB and F60MB+20 have 30 inches (76.2 cm) of clearance at discharge for filling our model 500TNS Tote 'N Serve Feed Cart or for sacking.



MBSLGT and MBSLGT+20 have 40 inches (101.6 cm) of clearance at discharge.



Ladder permanently attached; plenty of space between rungs and side of bin for firm footing.

Specifications

MODEL NUMBER	APPROXIMATE CAPACITY				SIZE INCHES (CM)				+SHIPPING WEIGHT LBS (KG)
	TONS	BU	LBS	KG	HOPPER DIAMETER	HEIGHT	HEIGHT TO FILL	HOLE PATTERN OF ANCHOR SYSTEM	
F60MB (will accept auger)	1.6	64	3200	1454.5	57 (144.8)	106 (269.2)	101 (256.5)	43.5 X 43.5 (110.5 X 110.5)	440 (200.0)
F60MB+20 (will accept auger)	2.1	84	4200	1909.1	57 (144.8)	122 (309.9)	117 (297.2)	43.5 X 43.5 (110.5 X 110.5)	485 (220.5)
MBSLGT (SLIDE GATE ONLY)	1.6	64	3200	1454.5	57 (144.8)	106 (269.2)	101 (256.5)	43.5 X 43.5 (110.5 X 110.5)	405 (184.1)
MBSLGT+20 (SLIDE GATE ONLY)	2.1	84	4200	1909.1	57 (144.8)	122 (309.9)	117 (297.2)	43.5 X 43.5 (110.5 X 110.5)	450 (204.5)

All models are shipped K.D. Truck Only. *Capacities are generally based on 50 lbs./bushel and 40 lbs./cubic foot. However please NOTE: Densities of feed vary. Capacities are approximate and are not guaranteed.



FOR YOU. FOR YOUR FARM.
FOR A CENTURY.

HAWKEYE STEEL PRODUCTS, INC.

P.O. Box 2000, Houghton, Iowa 52631 USA • Web: www.hawkeysteel.com
Phone: 319/469-4141 • Fax: 319/469-4402 • E-mail: sales@hawkeysteel.com

DISTRIBUTED BY: